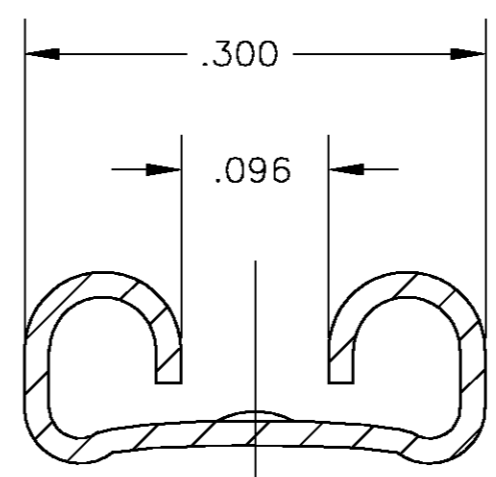
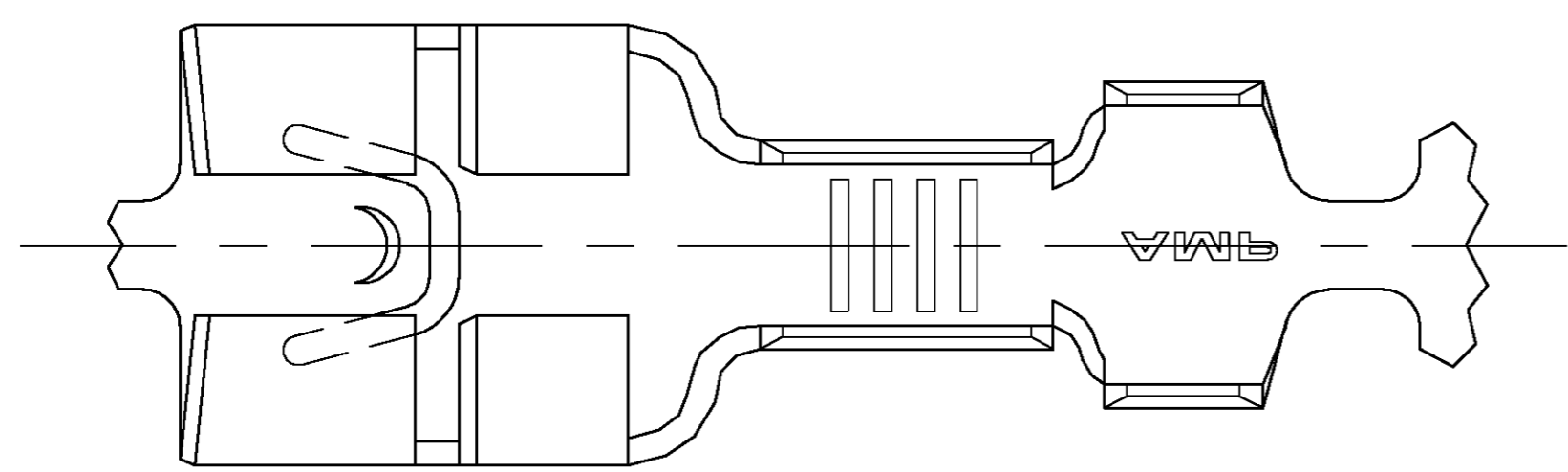


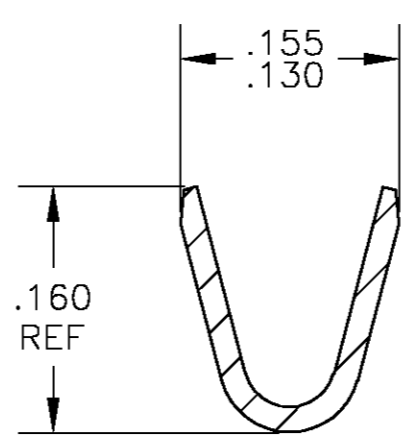
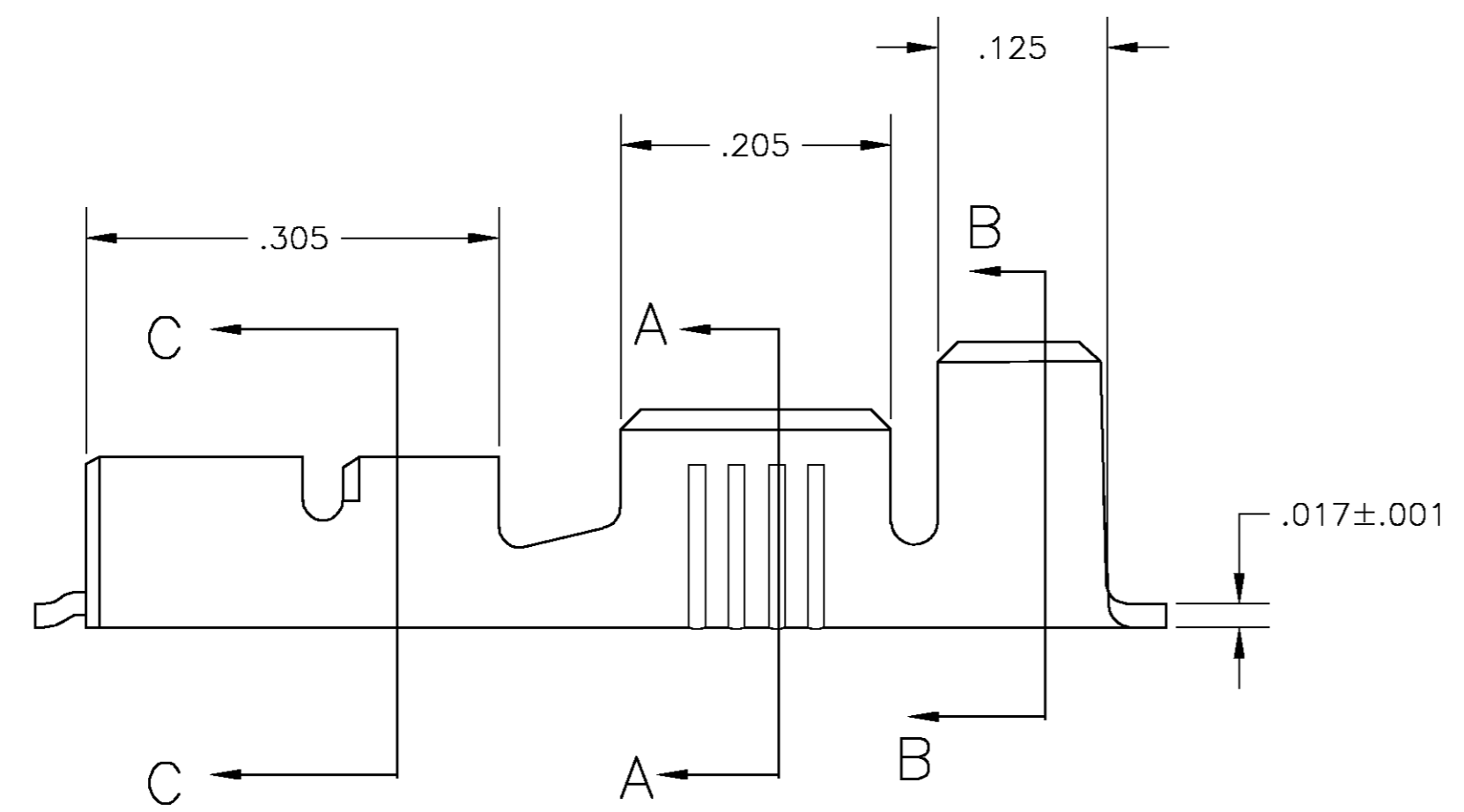
THIS DRAWING IS UNPUBLISHED. RELEASED FOR PUBLICATION
 © COPYRIGHT BY TYCO ELECTRONICS CORPORATION. ALL RIGHTS RESERVED.

LOC	DIST	REVISIONS			
P	LTR	DESCRIPTION	DATE	DWN	APVD
AF	50	D	REL PER OG3A-0166-05	02MAR05	JR PD

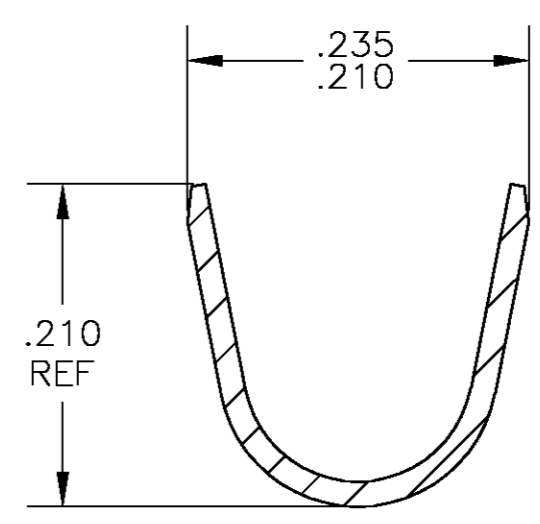
- 1 CONTINUOUS STRIP ON REELS
- 2 ACCEPTS #18-#14 AWG WIRE SIZE CRIMP WIDTH, .120, F TYPE
- 3 INSULATION RANGE IS .120-.170 DIA CRIMP WIDTH, .180, F OR O TYPE
- 4 MATING TAB THK IS .032±.001.



SECTION C-C



SECTION A-A



SECTION B-B

-	1217917-2
.000080 MIN TIN	1217917-1
FINISH	PART NO

THIS DRAWING IS A CONTROLLED DOCUMENT.		DWN	JR RUTH	22JAN03	Tyco Electronics Corporation Harrisburg, Pa 17105-3608							
DIMENSIONS: INCHES		CHK	P DESANTIS	11NOV03								
TOLERANCES UNLESS OTHERWISE SPECIFIED:		APVD	P DESANTIS	22JAN03								
0 PLC ± - 1 PLC ± - 2 PLC ± - 3 PLC ± .010 4 PLC ± - ANGLES ± - FINISH SEE TABLE		PRODUCT SPEC	NAME			RECEPTACLE, FASTON, .250 SERIES						
MATERIAL	4M BRASS	APPLICATION SPEC	-		SIZE	A2	CAGE CODE	00779	DRAWING NO	C=1217917	RESTRICTED TO	-
CUSTOMER DRAWING		WEIGHT	-		SCALE	1:1	SHEET	1	OF	1	REV	D

1217917